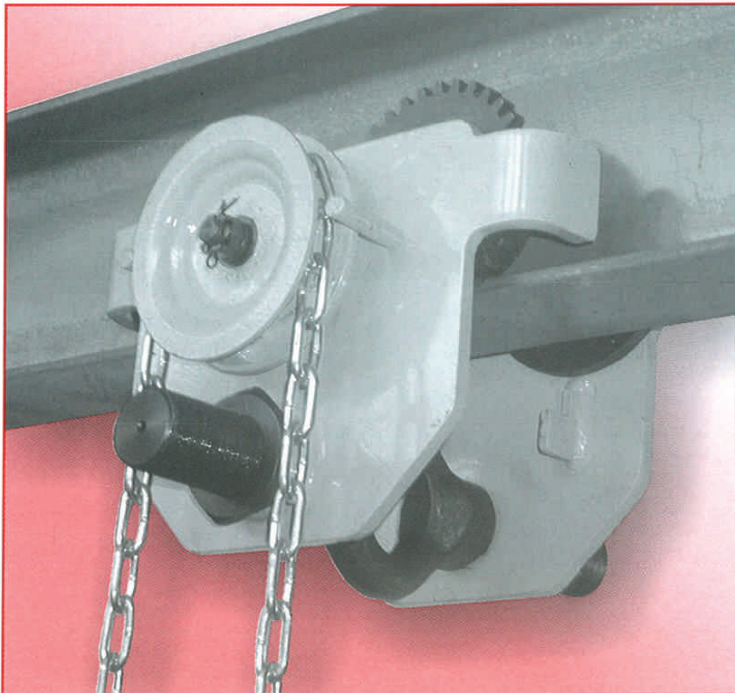
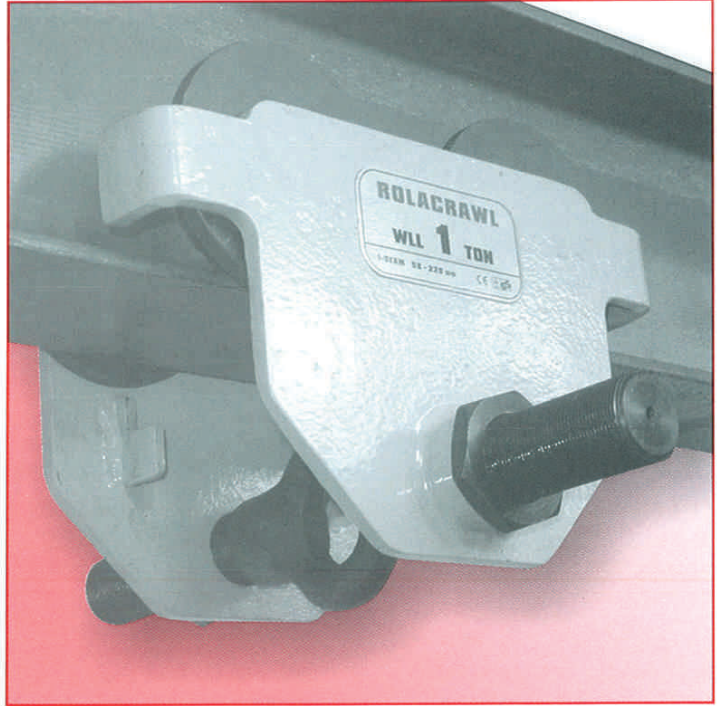
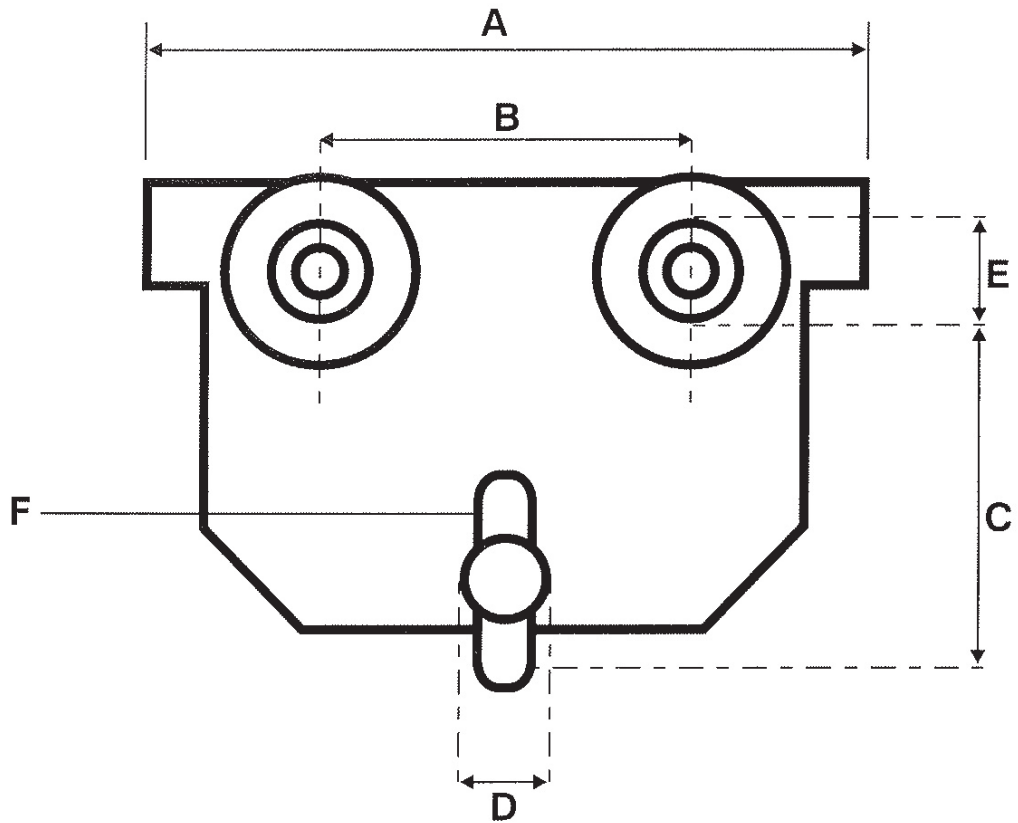


ROLACRAWLS

PLAIN



GEARED



SPECIFICATIONS		CAPACITY					
		½t	1t	2t	3t	5t	
A	Overall length	198mm	245mm	277mm	330mm	380mm	
B	Distance between axles (centre to centre)	100mm	120mm	130mm	160mm	170mm	
C	Distance between beam base and hook bearing point	80mm	105mm	125mm	150mm	160mm	
D	Shaft diameter	24mm	30mm	36mm	41mm	47mm	
E	Load wheel diameter (at load-bearing surface)	55mm	67mm	80mm	100mm	110mm	
F	Internal width and height of suspension eye	24x30mm	30x35mm	40x47mm	44x57mm	50x64mm	
1	Side plate thickness	6mm	8mm	10mm	12mm	16mm	
2	Weight	Plain	5kg	9kg	14,5kg	23,5kg	36,5kg
		Geared	N/A	10kg	15,5kg	25kg	38,5kg
3	To fit beam width	Minimum	50mm	58mm	66mm	74mm	90mm
		Maximum	220mm	220mm	220mm	220mm	220mm
4	Minimum radius	1,3M	1,3M	1,5M	2M	2,5M	